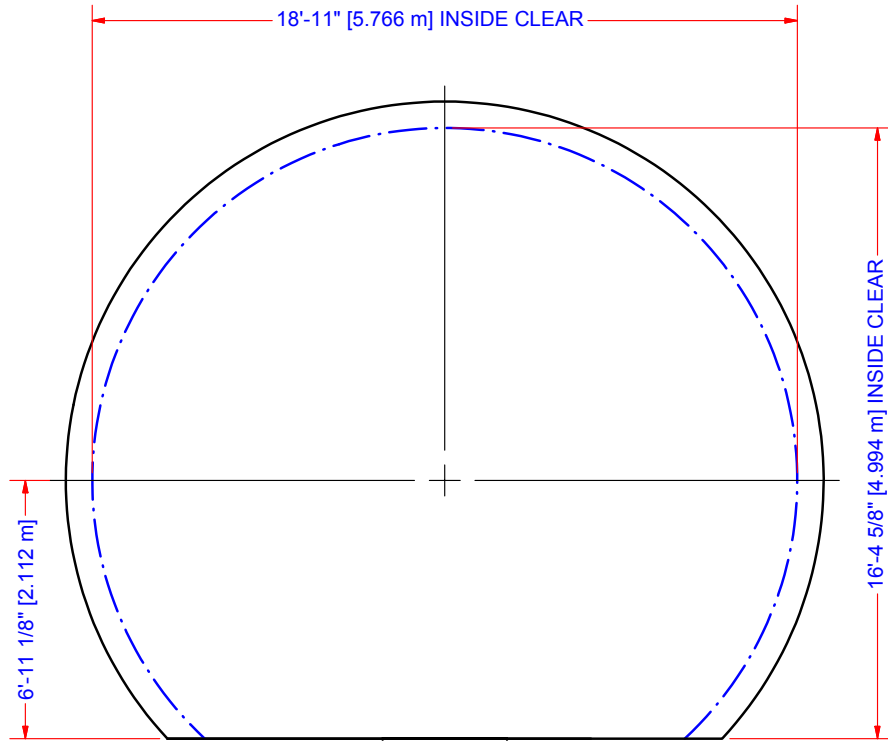
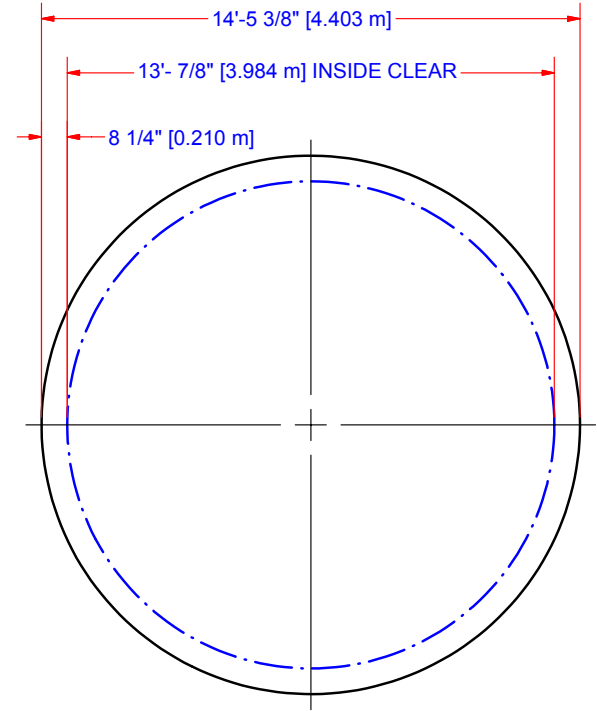


REVISION HISTORY				
ZONE	REV	DESCRIPTION	DATE	APPROVED
1	2	Value	04/07/2009	jongho



ELEVATION



BASE

These documents by Antennas for Communications contain information of a proprietary nature and shall not be copied or duplicated in whole or in part or used in whole or in part for any purpose other than for preparation of bids or fabrication.

- 1. ALL MACHINED SURFACES TO BE ±.125 MICROINCHES OR SMOOTHER.
- 2. ALL DIMENSIONS ARE IN INCHES.
- .X ±.1 [2.5mm] | FRACTIONS
- .XX ±.04 [1.0mm] | ± 1/16
- .XXX ±.008 [0.2mm] | ANGLE ± 1'

DESIGN	PRODUCTION	QUALITY
--------	------------	---------

OUTLINE SPECIFICATIONS			
20' * 17' DIELECTRIC RADOME			
AFC ANTENNAS FOR COMMUNICATIONS		20DSF17	
ANTENNAS FOR COMMUNICATIONS INC. OCALA, FLORIDA			
SIZE B	CAGE CODE	DWG NO	20DSF17002
DRAWING BY J. LEE	SCALE 3/4 = 1'	USE FOR MARKETING	SHEET 1/1