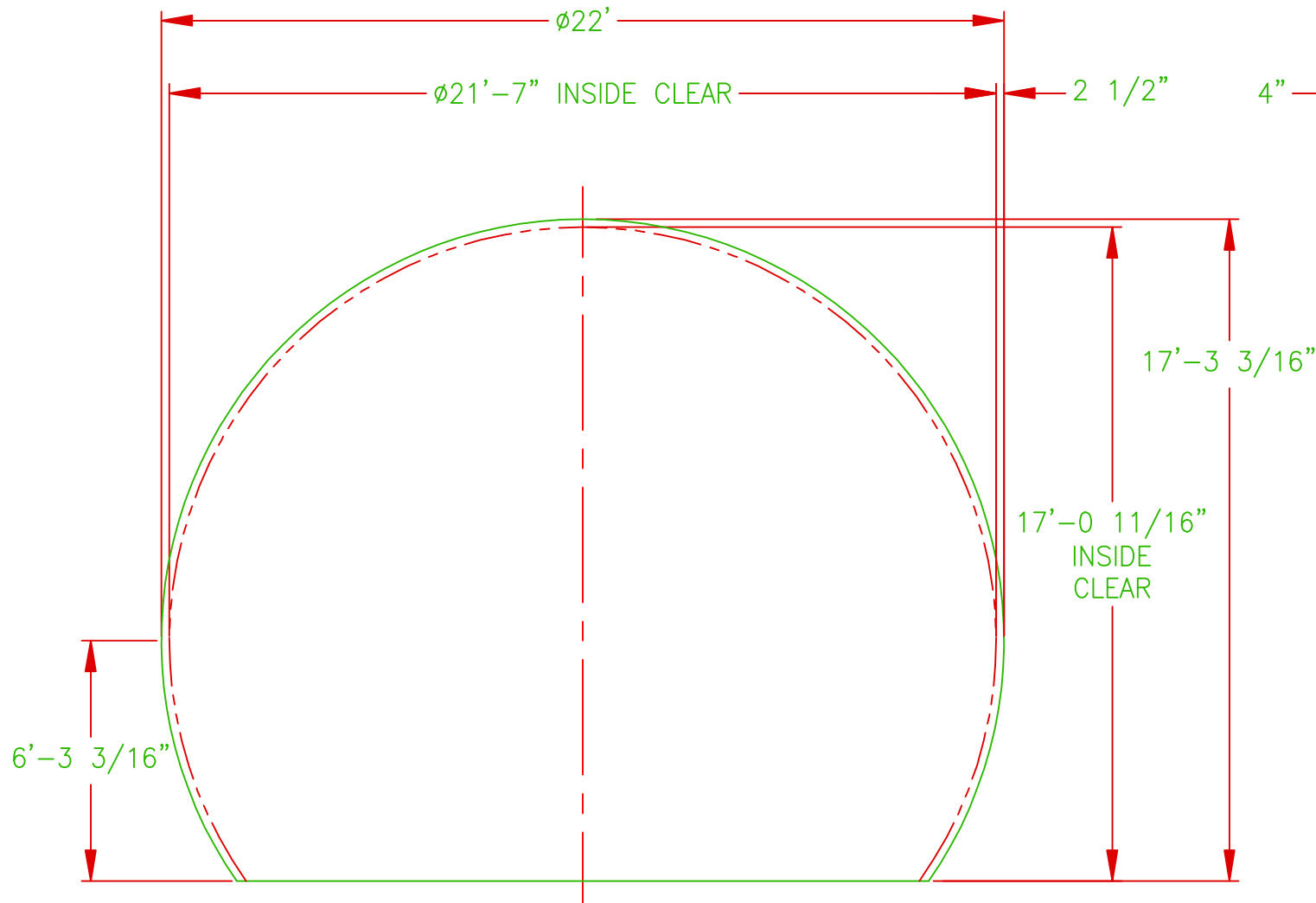
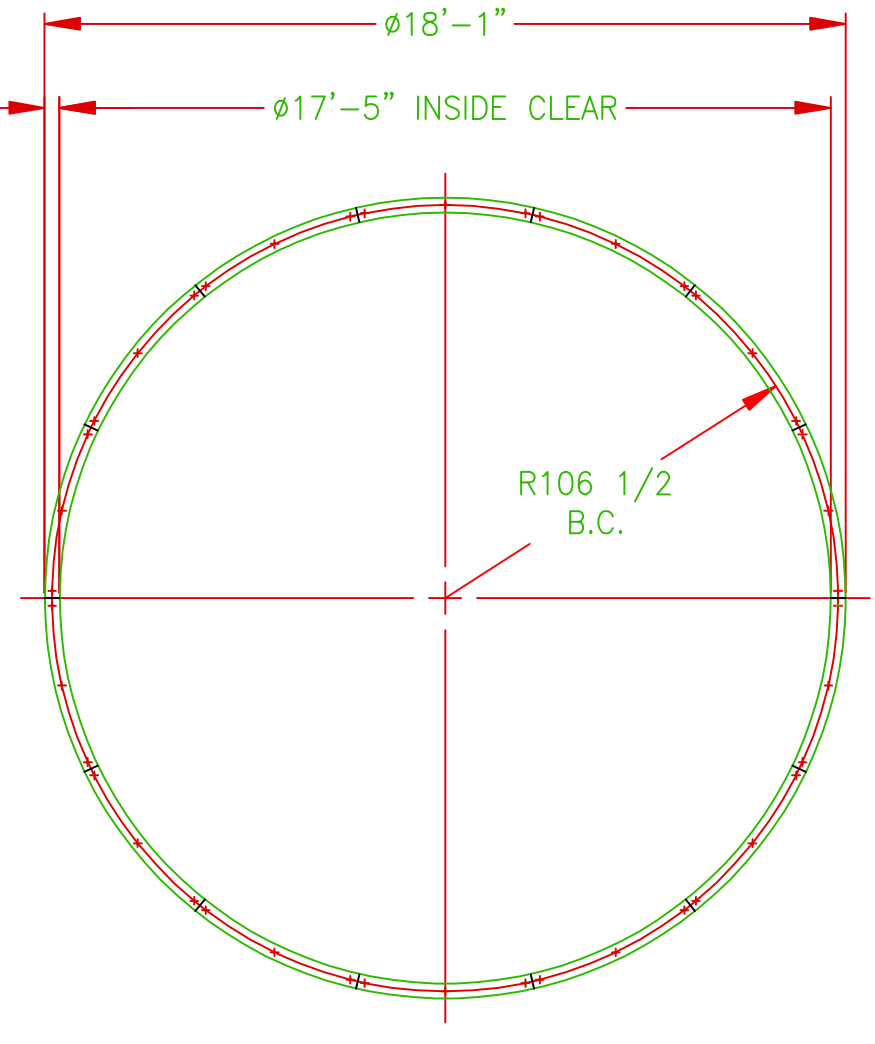


REVISIONS				
ZONE	REV	DESCRIPTION	DATE	APPROVED
B1-C2	B	14-Panel Base was 12-Panel Base	07/19/07	RK



ELEVATION



BASE

ORIGINAL

These documents by Antennas for Communication contain information of a proprietary nature and shall not be copied or duplicated in whole or in part or used in whole or in part for any purpose other than for preparation of bids or fabrication.

DESIGN	01/14/02
PRODUCTION	01/14/02
QUALITY	01/14/02

OUTLINE: 22' RADOME 17' HIGH			
1/7/14 VERTICAL SLICE; SPHERICAL SURFACE			
AFC		22DVS17005	
ANTENNAS FOR COMMUNICATIONS INC. OCALA, FLORIDA			
SIZE	CAGE CODE	DWG. NO.	REV.
A	IGC56	22DVS17002	B
DRAWN BY		DATE	SHEET
R. KROHNE		06/18/00	1 OF 1