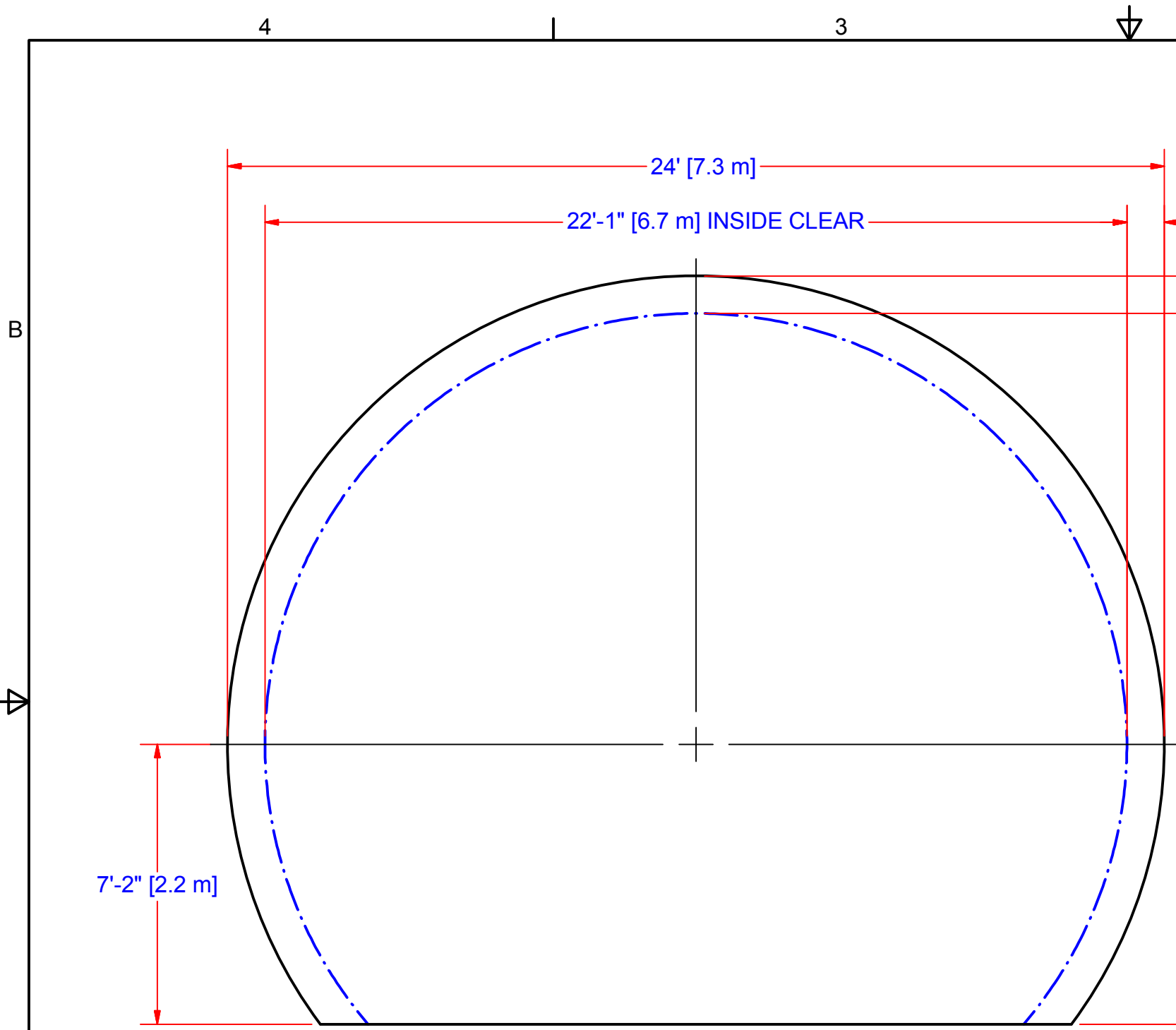
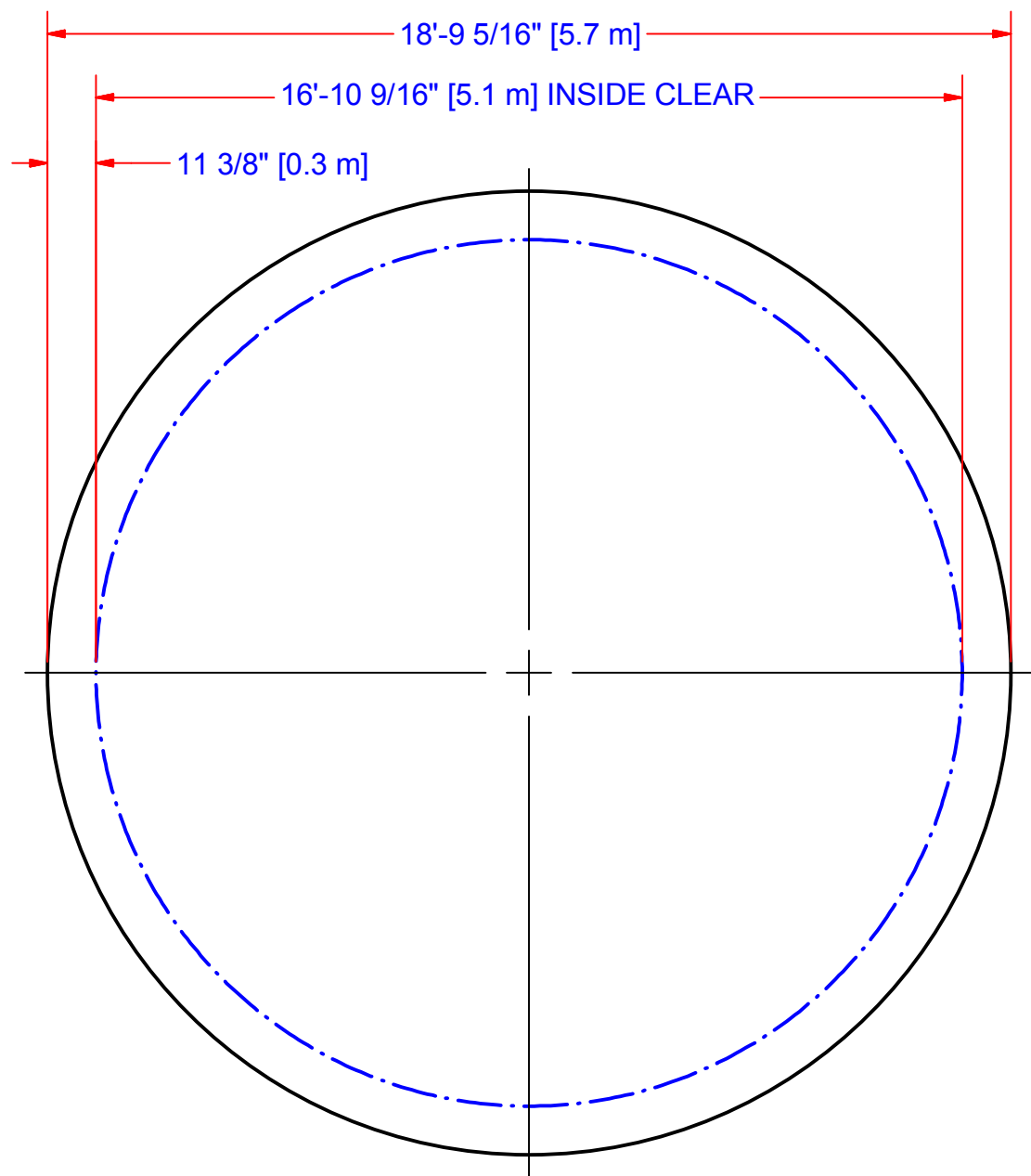


REVISION HISTORY				
ZONE	REV	DESCRIPTIO	DATE	APPROVED
All	0	Initial Release	10/23/2008	J. Lee



ELEVATION



BASE

<p>These documents by Antennas for Communications contain information of a proprietary nature and shall not be copied or duplicated in whole or in part or used in whole or in part for any purpose other than for preparation of bids or fabrication.</p>	<p>1. ALL MACHINED SURFACES TO BE 125 MICROINCHES OR SMOOTHER.</p> <p>2. ALL DIMENSIONS ARE IN INCHES.</p>		<p>OUTLINE SPECIFICATIONS</p>		
	<p>.X ±.1 [2.5mm] FRACTIONS</p> <p>.XX ±.04 [1.0mm] ± 1/16</p> <p>.XXX ±.008 [0.2mm] ANGLE ± 1'</p>		<p>24' * 19' DIELECTRIC RADOME</p>		
	<p>* J. Lee DESIGN 10/23/2008 *</p>		<p>AFC</p>	<p>24DSF19</p>	
	<p>* J. Miller PRODUCTION 10/23/2008 *</p>			<p>ANTENNAS FOR COMMUNICATIONS INC. OCALA, FLORIDA</p>	
	<p>* QUALITY *</p>		<p>SIZE B</p>	<p>CAGE CODE</p>	<p>DWG NO 24DSF19002</p>
		<p>DRAWING BY J. LEE</p>	<p>DATE 10/23/2008</p>	<p>USE FOR MARKETING</p>	<p>SHEET 1/1</p>