

4

3

2

DWG NO. 31DSF26002

SH 1 REV A

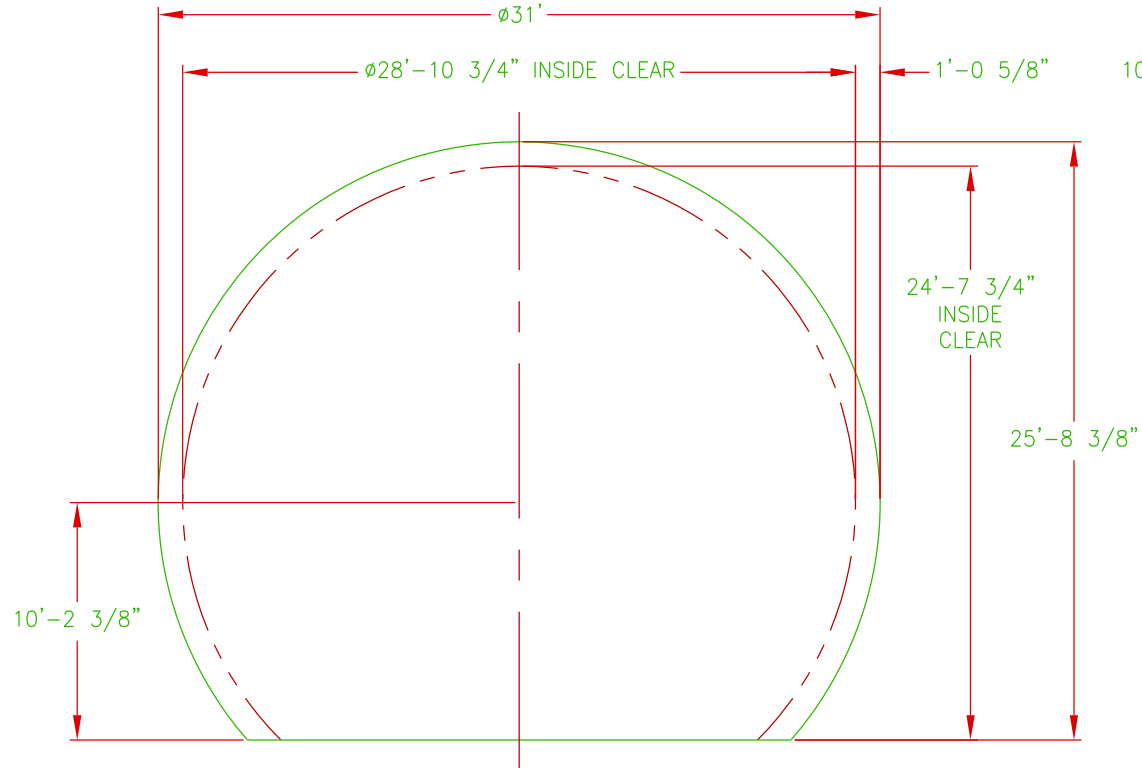
REVISIONS				
ZONE	REV	DESCRIPTION	DATE	APPROVED

D

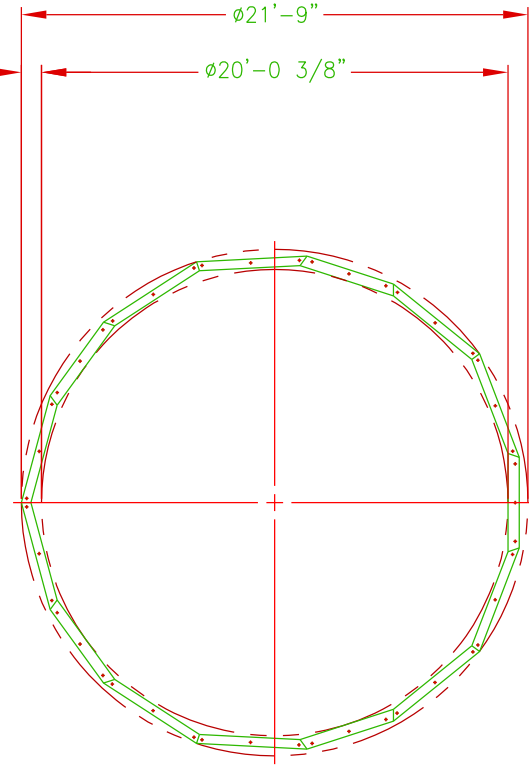
C

B

A



ELEVATION



BASE

NEW CONFIGURATION

These documents by Antennas for Communication contain information of a proprietary nature and shall not be copied or duplicated in whole or in part or used in whole or in part for any purpose other than for preparation of bids or fabrication.

DESIGN	R. POSNER	07/05/00
PRODUCTION	L. SPIVEY	07/05/00
QUALITY	J. CATES	07/05/00

OUTLINE SPECIFICATIONS	
31' RADOME 25.7' HIGH DIELECTRIC	
AFC	31DSF26005
ANTENNAS FOR COMMUNICATIONS INC. OCALA, FLORIDA	
CAGE CODE ICG56	DWG NO. 31DSF26002
DATE 05/30/00	1/64
MARKETING	1 OF 1

4

3

2

1

D

C

B

A