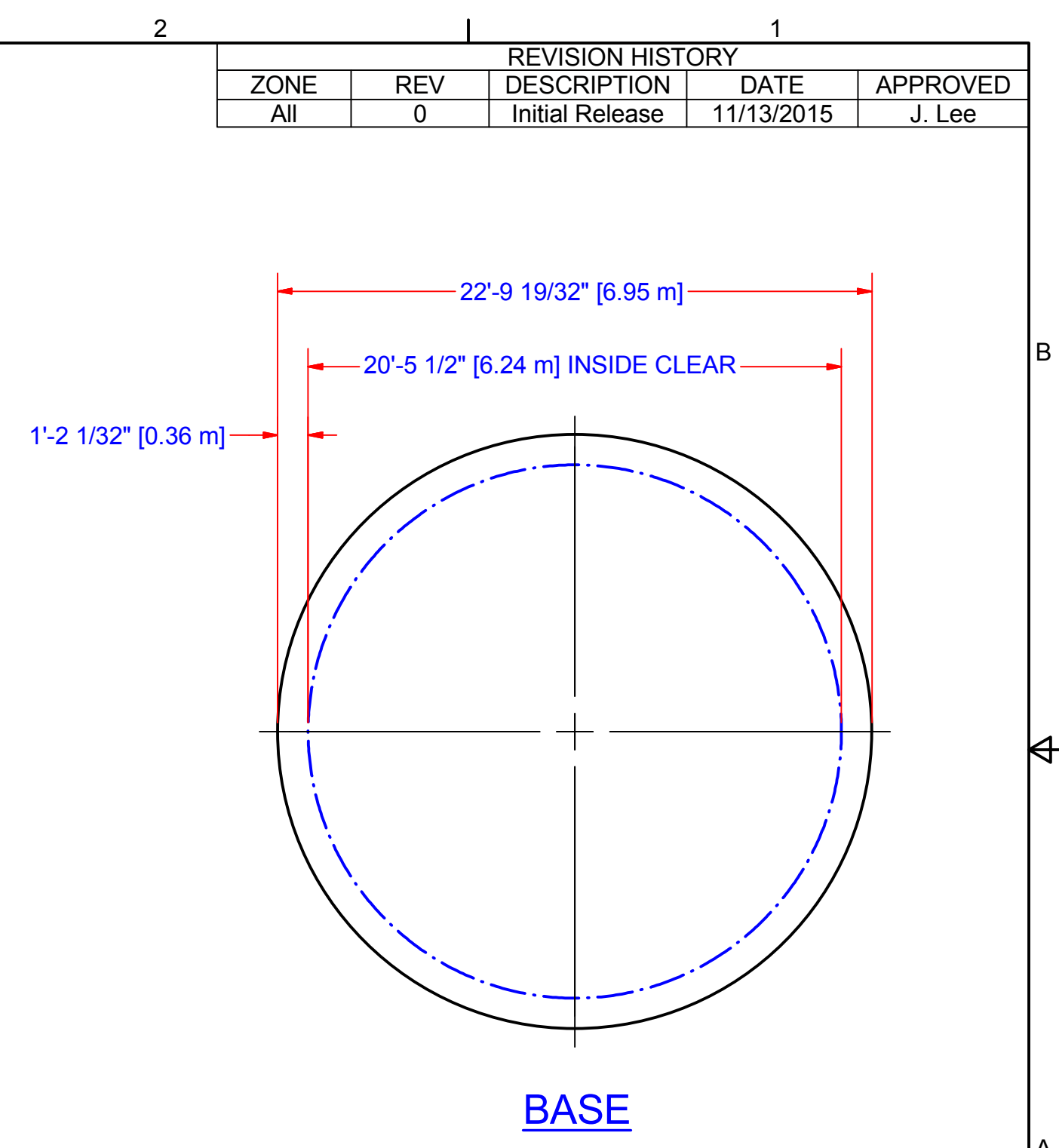
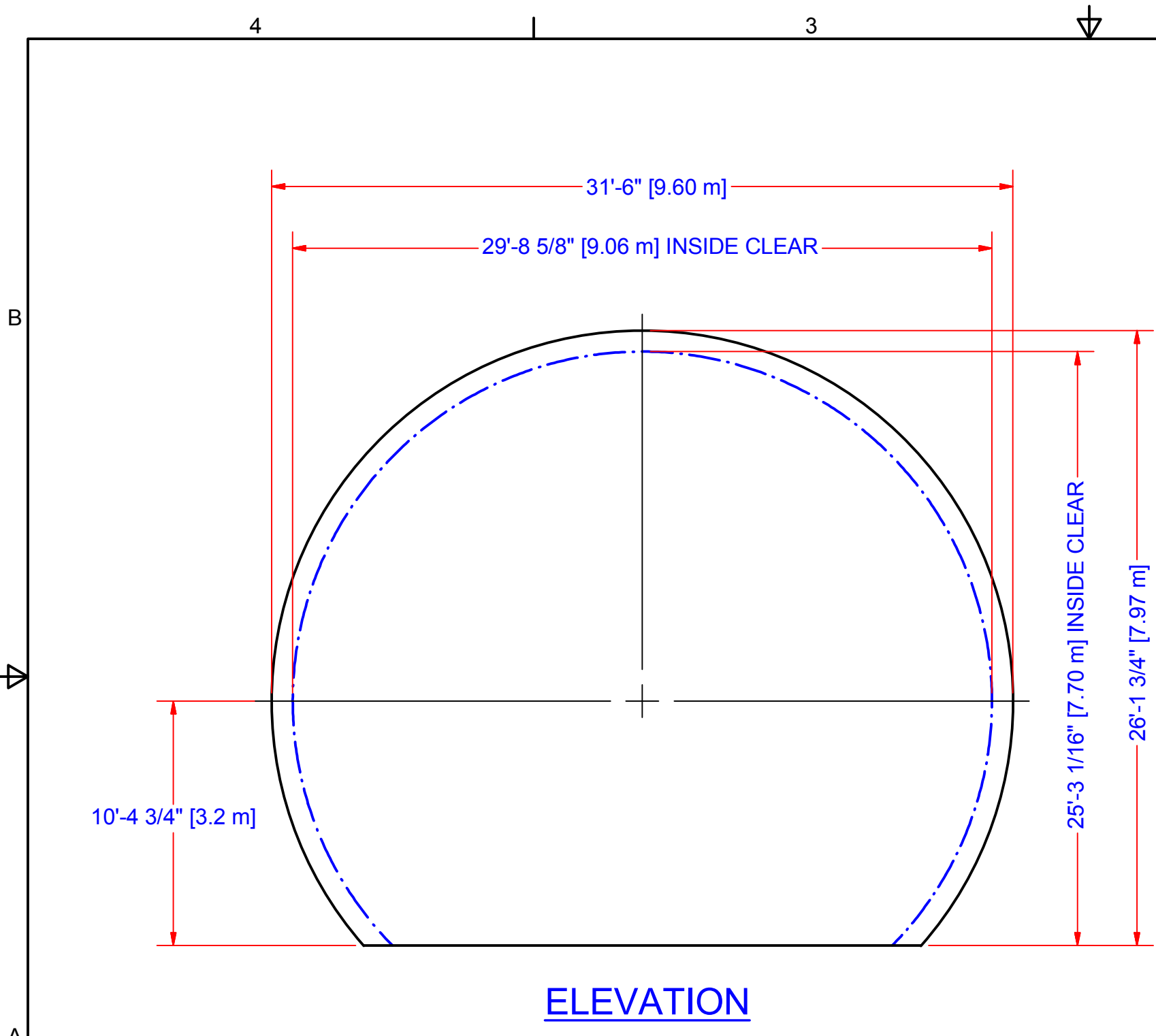


REVISION HISTORY				
ZONE	REV	DESCRIPTION	DATE	APPROVED
All	0	Initial Release	11/13/2015	J. Lee



These documents by Antennas for Communications contain information of a proprietary nature and shall not be copied or duplicated in whole or in part or used in whole or in part for any purpose other than for preparation of bids or fabrication.

- 1. ALL MACHINED SURFACES TO BE 125 MICROINCHES OR SMOOTHER.
- 2. ALL DIMENSIONS ARE IN INCHES.
- .X ±.1 [2.5mm] | FRACTIONS
- .XX ±.04 [1.0mm] | ± 1/16
- .XXX ±.008 [0.2mm] | ANGLE ± 1'
- * J. Lee DESIGN 11/13/2015 *
- * J. Miller PRODUCTION 11/13/2015 *
- * J. Newcomb QUALITY 11/13/2015 *

OUTLINE SPECIFICATIONS				
32' * 26' DIELECTRIC RADOME				
AFC		32DSF26		
		ANTENNAS FOR COMMUNICATIONS INC. OCALA, FLORIDA		
SIZE B	CAGE CODE	DWG NO 32DSF26002		
DRAWING BY J. LEE	DATE 11/13/2015	SCALE 3/4 = 1'	USE FOR MARKETING	SHEET 1/1