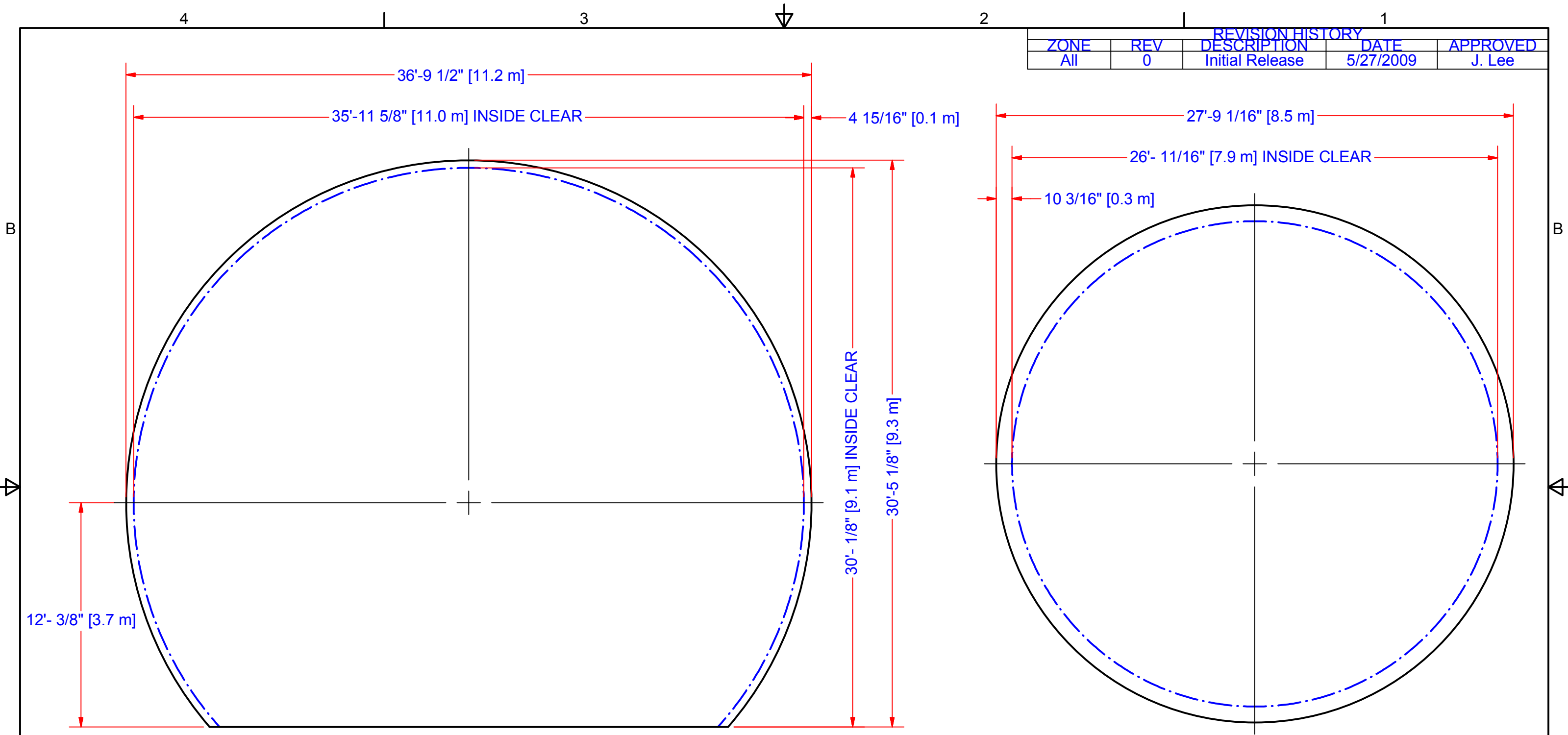


REVISION HISTORY				
ZONE	REV	DESCRIPTION	DATE	APPROVED
All	0	Initial Release	5/27/2009	J. Lee



ELEVATION

BASE

<p>These documents by Antennas for Communications contain information of a proprietary nature and shall not be copied or duplicated in whole or in part or used in whole or in part for any purpose other than for preparation of bids or fabrication.</p>	<p>1. ALL MACHINED SURFACES TO BE 125 MICROINCHES OR SMOOTHER. 2. ALL DIMENSIONS ARE IN INCHES.</p>		<p>OUTLINE SPECIFICATIONS</p>		
	<p>.X ±.1 [2.5mm] FRACTIONS .XX ±.04 [1.0mm] ± 1/16 .XXX ±.008 [0.2mm] ANGLE ± 1°</p>		<p>36.5' * 30.5' DIELECTRIC RADOME</p>		
	<p>* J. LEE DESIGN 05/27/2009 *</p>		<p>AFC</p>	<p>36.5DSF30.5</p>	
	<p>* J. MILLER PRODUCTION 05/27/2009 *</p>			<p>ANTENNAS FOR COMMUNICATIONS INC. OCALA, FLORIDA</p>	
	<p>* R. VANDERLAAN QUALITY 05/27/2009 *</p>		<p>SIZE B</p>	<p>CAGE CODE</p>	<p>DWG NO 36.5DSF30.5002</p>
		<p>DRAWING BY J. LEE</p>	<p>SCALE 0.0165</p>	<p>USE FOR MARKETING</p>	<p>SHEET 1/1</p>