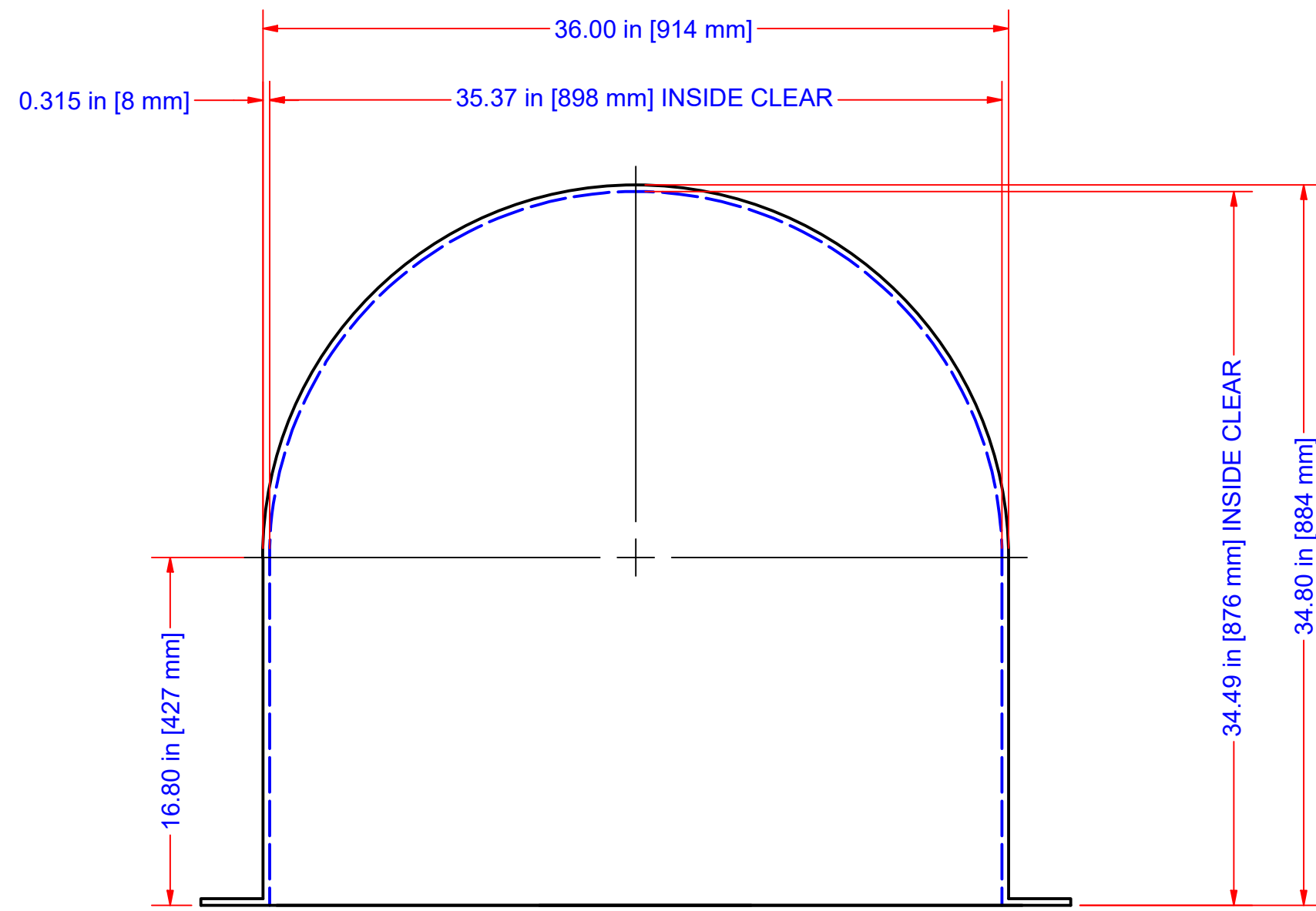
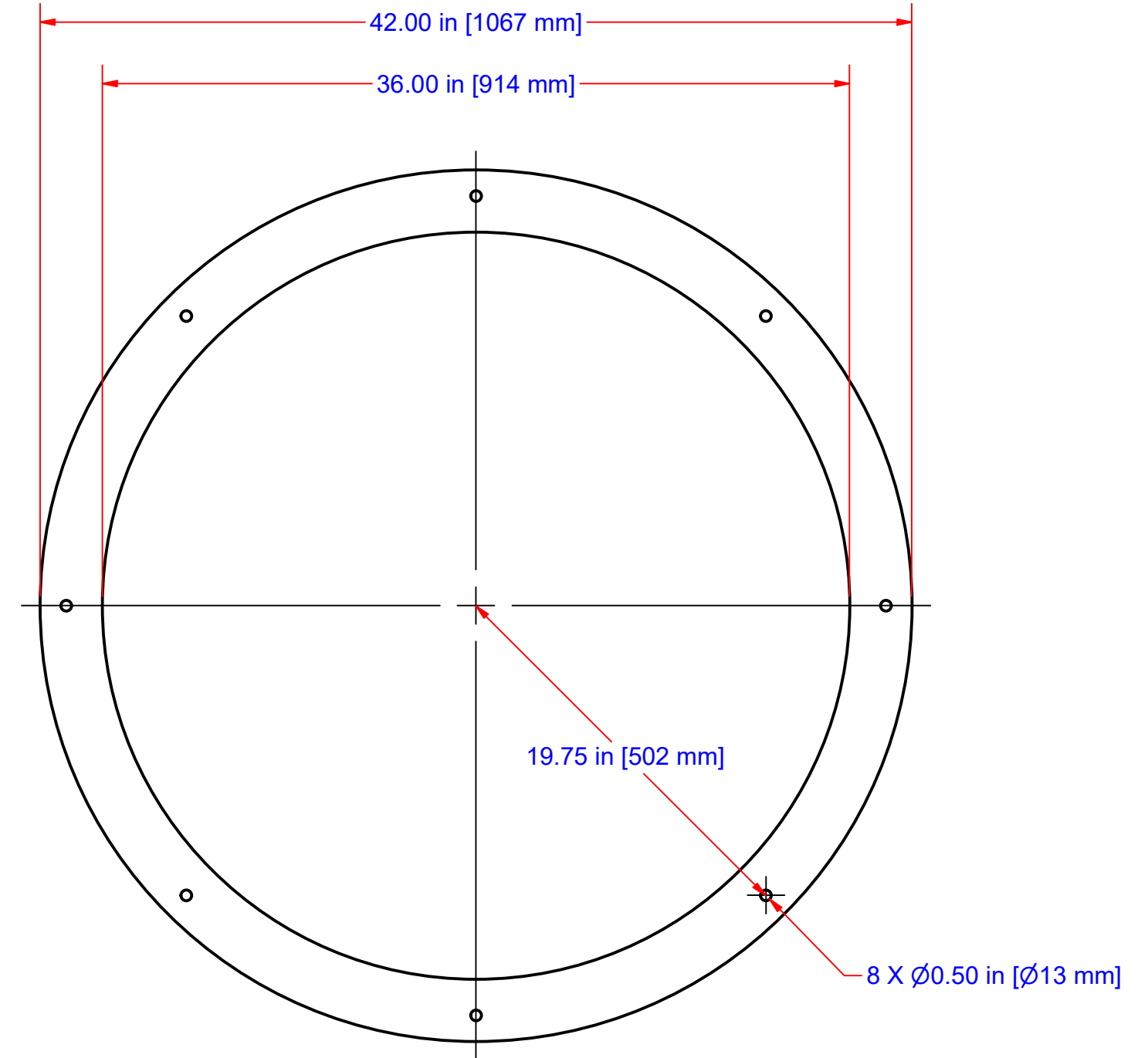


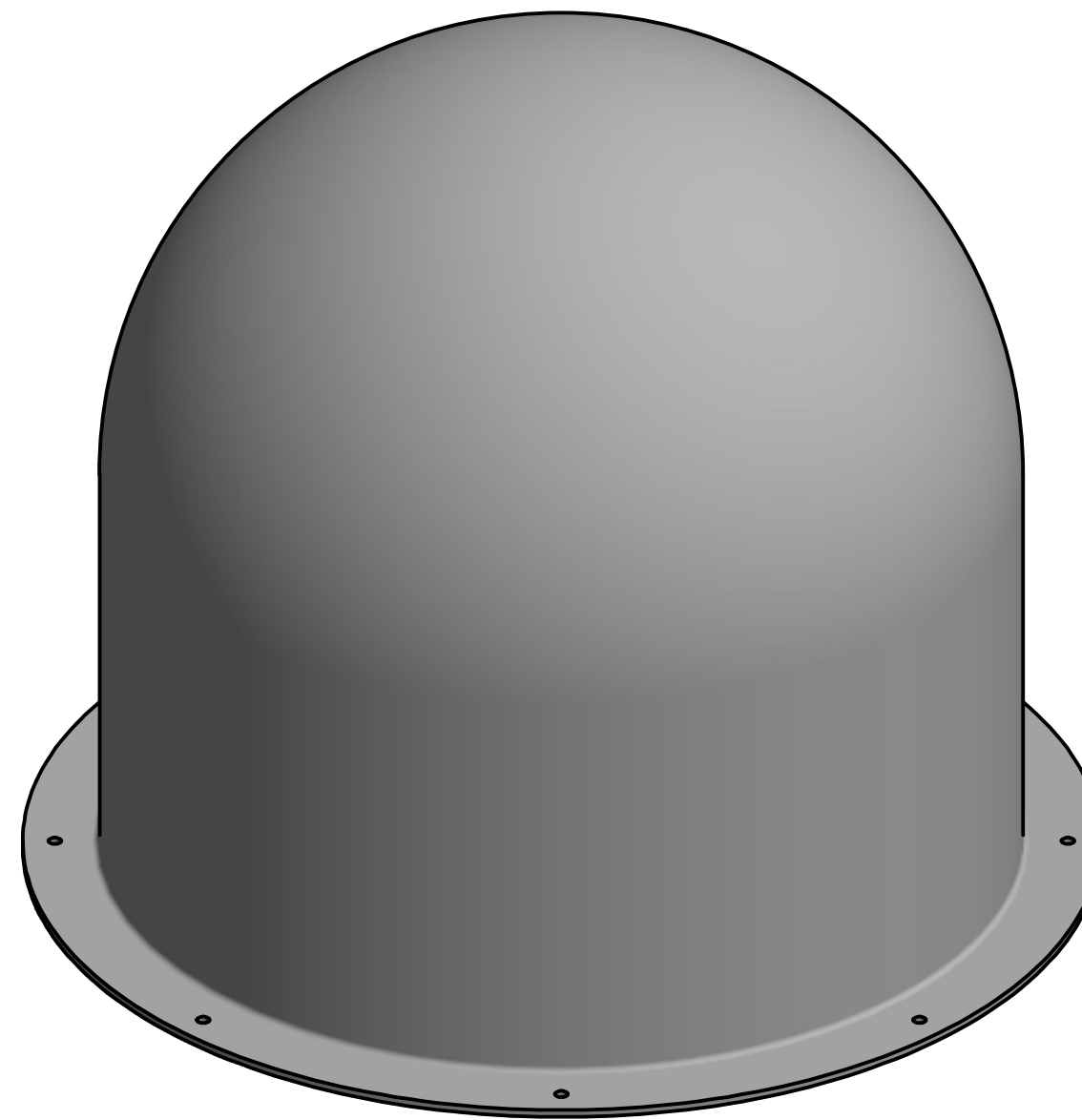
REVISION HISTORY				
ZONE	REV	DESCRIPTION	DATE	APPROVED
All	0	Initial Release	02/26/2021	J. Lee



ELEVATION



BASE



3D-View

PRELIMINARY

<p>These documents by Antennas for Communications contain information of a proprietary nature and shall not be copied or duplicated in whole or in part or used in whole or in part for any purpose other than for preparation of bids or fabrication.</p>	<p>1. ALL MACHINED SURFACES TO BE 125 MICROINCHES OR SMOOTHER. 2. ALL DIMENSIONS ARE IN INCHES.</p>		<p>3DPT2.9 Radome</p>		
	<p>.X ± .1 [2.5mm] FRACTIONS .XX ± .04 [1.0mm] ± 1/16 .XXX ± .008 [0.2mm] ANGLE ± 1°</p>		<p>3' * 2.9' DIELECTRIC RADOME</p>		
	<p>* DESIGN *</p>		<p>AFC</p>	<p>3DPT2.9</p>	
	<p>* PRODUCTION *</p>			<p>ANTENNAS FOR COMMUNICATIONS INC. OCALA, FLORIDA</p>	
<p>* QUALITY *</p>		<p>SIZE B CAGE CODE DWG NO. 3DPT2.9 Radome</p>	<p>DRAWING BY J. LEE 02/26/2021</p>	<p>SCALE 3/4 = 1"</p>	<p>USE FOR MARKETING SHEET 1/1</p>