

4

3

2

DWG NO. 48DSF40002 SH 1 REV A

ZONE		REV	DESCRIPTION	DATE	APPROVED

D

D

C

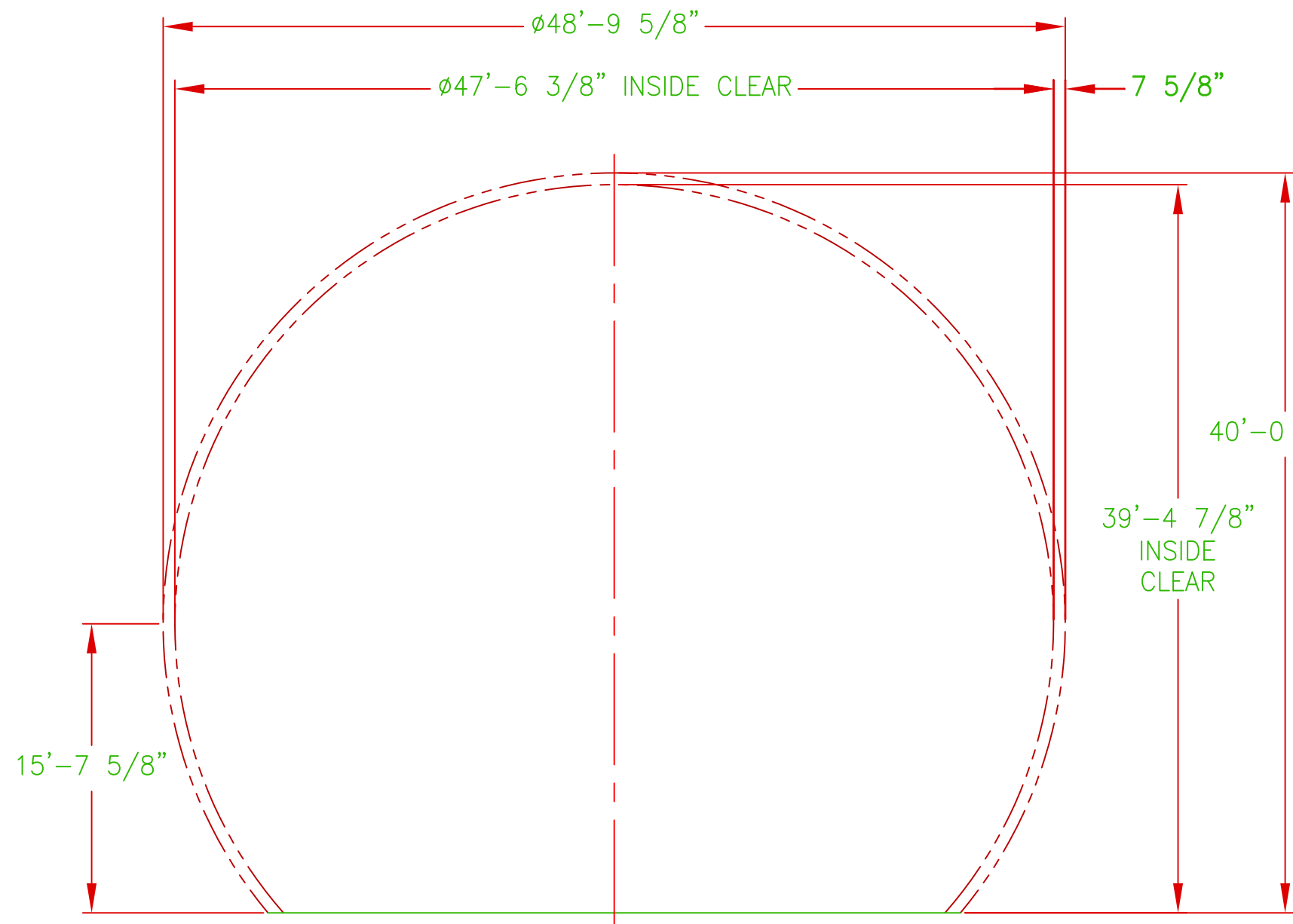
C

B

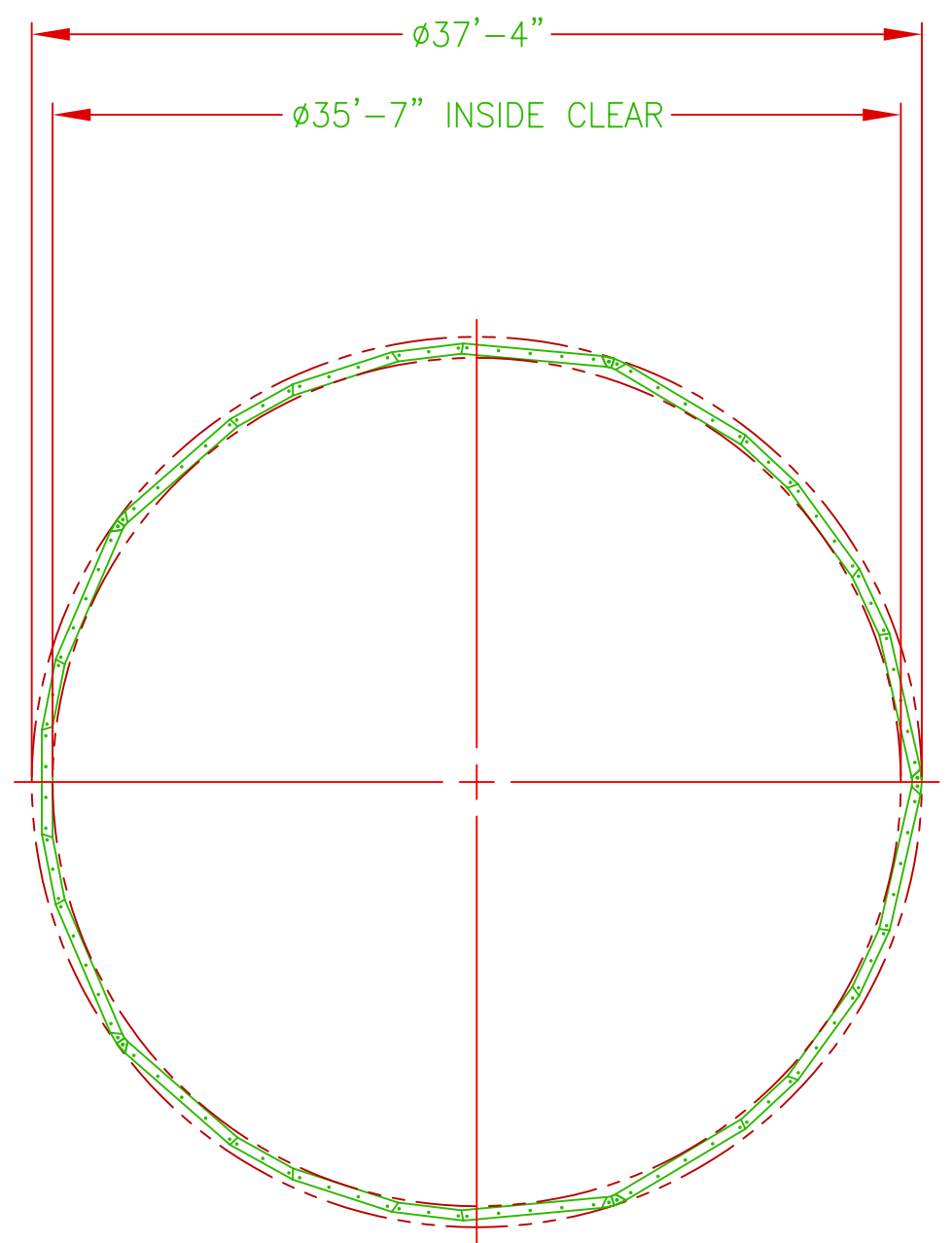
B

A

A



ELEVATION



BASE

These documents by Antennas for Communications contain information of a proprietary nature and shall not be copied or duplicated in whole or in part or used in whole or in part for any purpose other than for preparation of bids or fabrication.

1. ALL MACHINED SURFACES TO BE 125 MICRONS OR SMOOTHER.	
2. ALL DIMENSIONS ARE IN INCHES.	
.X ±.1 [2.5mm] FRACTIONS	
.XX ±.04 [1.0mm] ± 1/16	
.XXX ±.008 [0.2mm] ANGLE ±1°	
R. POSNER DESIGN 10/04/01	
L. SPIVEY PRODUCTION 10/04/01	
J. CATES QUALITY 10/04/01	

OUTLINE SPECIFICATIONS			
48' RADOME 40' HIGH DIELECTRIC			
AFC		48DSF40004	
ANTENNAS FOR COMMUNICATIONS INC. OCALA, FLORIDA			
SIZE B	CAGE CODE IGC56	DWG NO. 48DSF40002	REV. A
DRAWN BY R. KROHNE		DATE 05/01/00	SHEET 1 OF 1