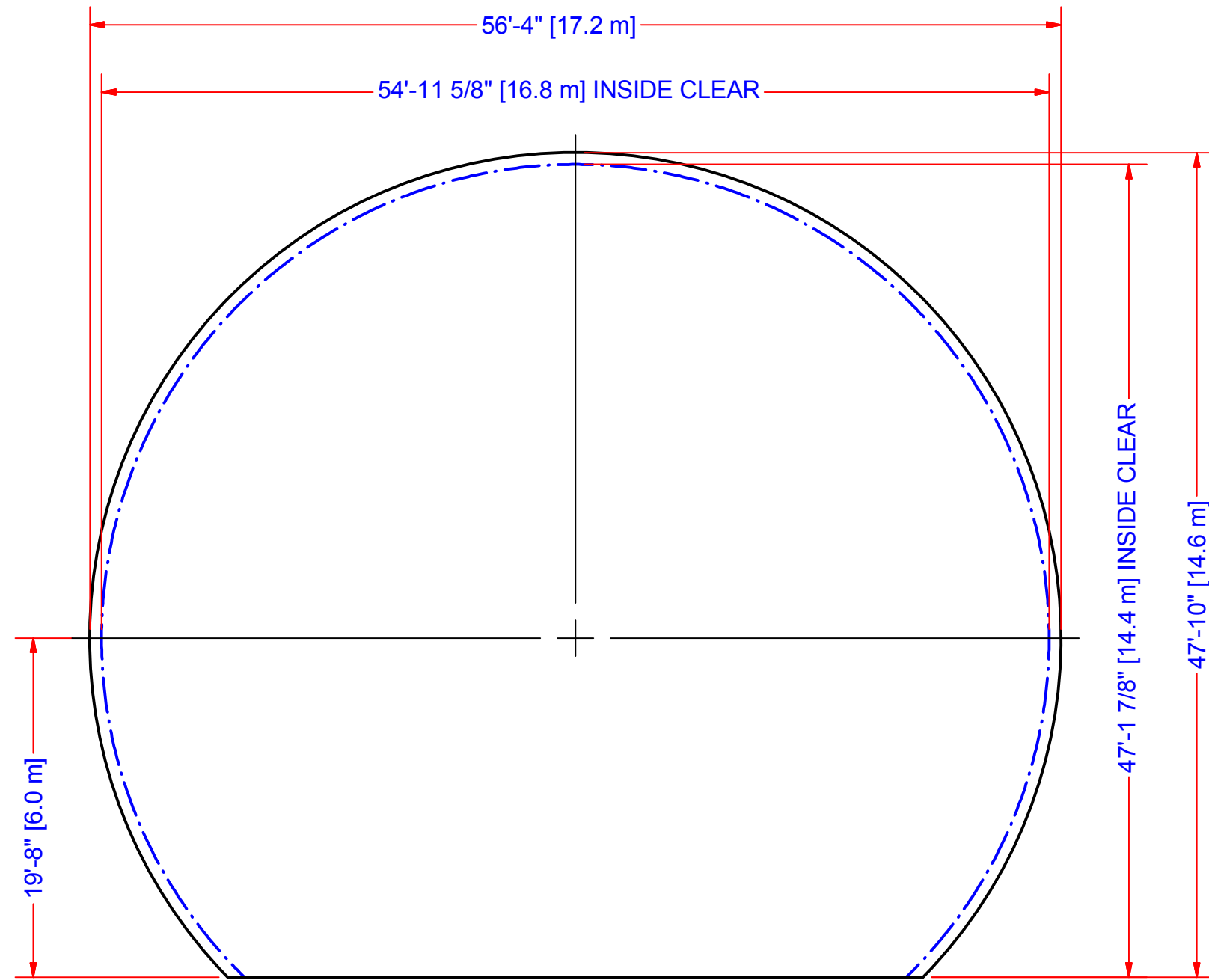
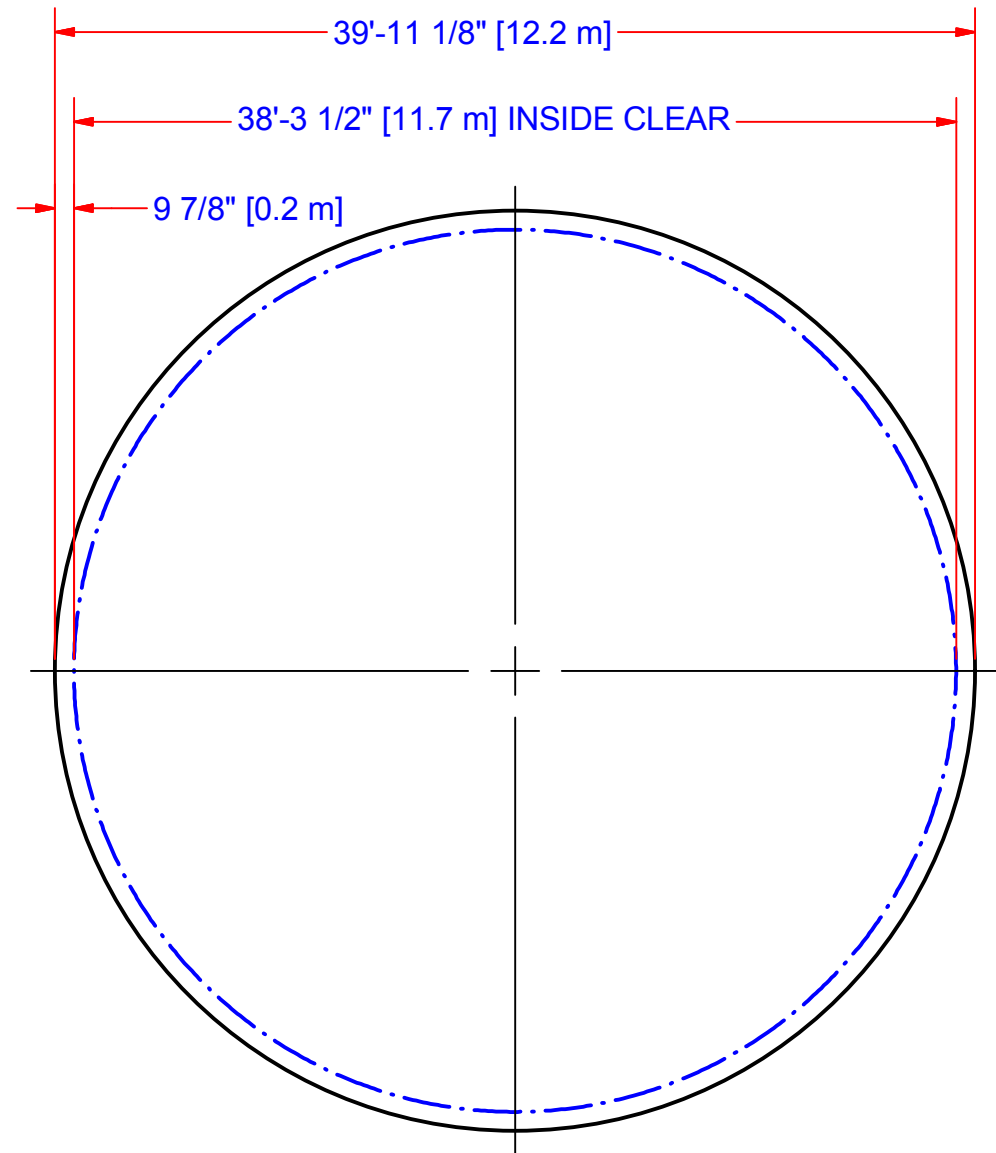


REVISION HISTORY				
ZONE	REV	DESCRIPTION	DATE	APPROVED
All	0	Initial Release	03/24/2009	J. Lee



ELEVATION



BASE

<p>These documents by Antennas for Communications contain information of a proprietary nature and shall not be copied or duplicated in whole or in part or used in whole or in part for any purpose other than for preparation of bids or fabrication.</p>	<p>1. ALL MACHINED SURFACES TO BE 125 MICROINCHES OR SMOOTHER. 2. ALL DIMENSIONS ARE IN INCHES.</p>		<p>OUTLINE SPECIFICATIONS</p>			
	<p>.X ±.1 [2.5mm] FRACTIONS .XX ±.04 [1.0mm] ± 1/16 .XXX ±.008 [0.2mm] ANGLE ± 1'</p>		<p>56' * 48' DIELECTRIC RADOME</p>			
	<p>* J. Lee DESIGN 03/24/2009 * * J. Miller PRODUCTION 03/24/2009 * * QUALITY *</p>		<p>AFC</p>	<p>56DSF48 ANTENNAS FOR COMMUNICATIONS INC. OCALA, FLORIDA</p>		
	<p>SIZE B DRAWING BY J. LEE 03/24/2009</p>		<p>CAGE CODE</p>	<p>DWG NO. 56DSF48002</p>	<p>SCALE 3/4 = 1'</p>	<p>USE FOR MARKETING</p>