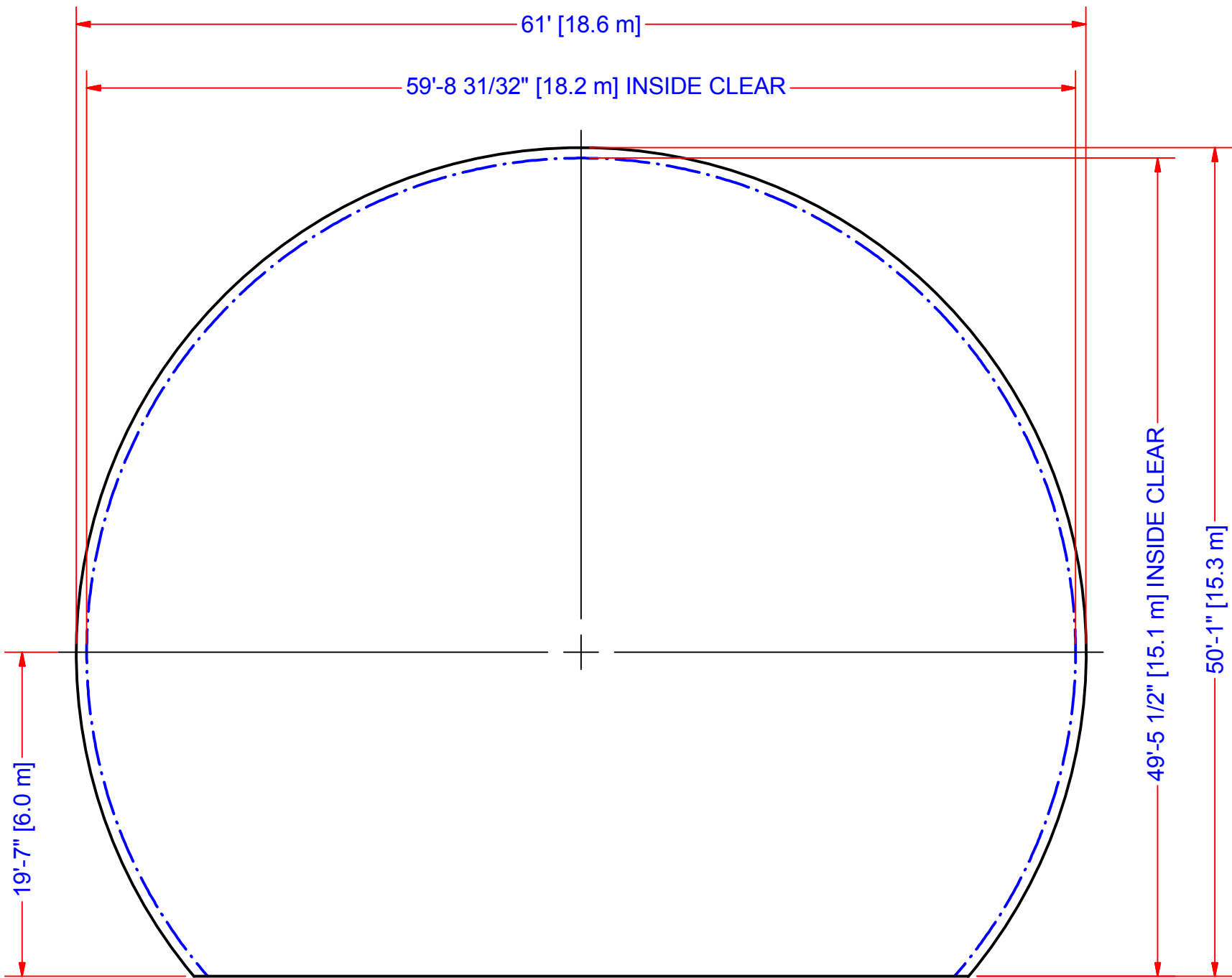
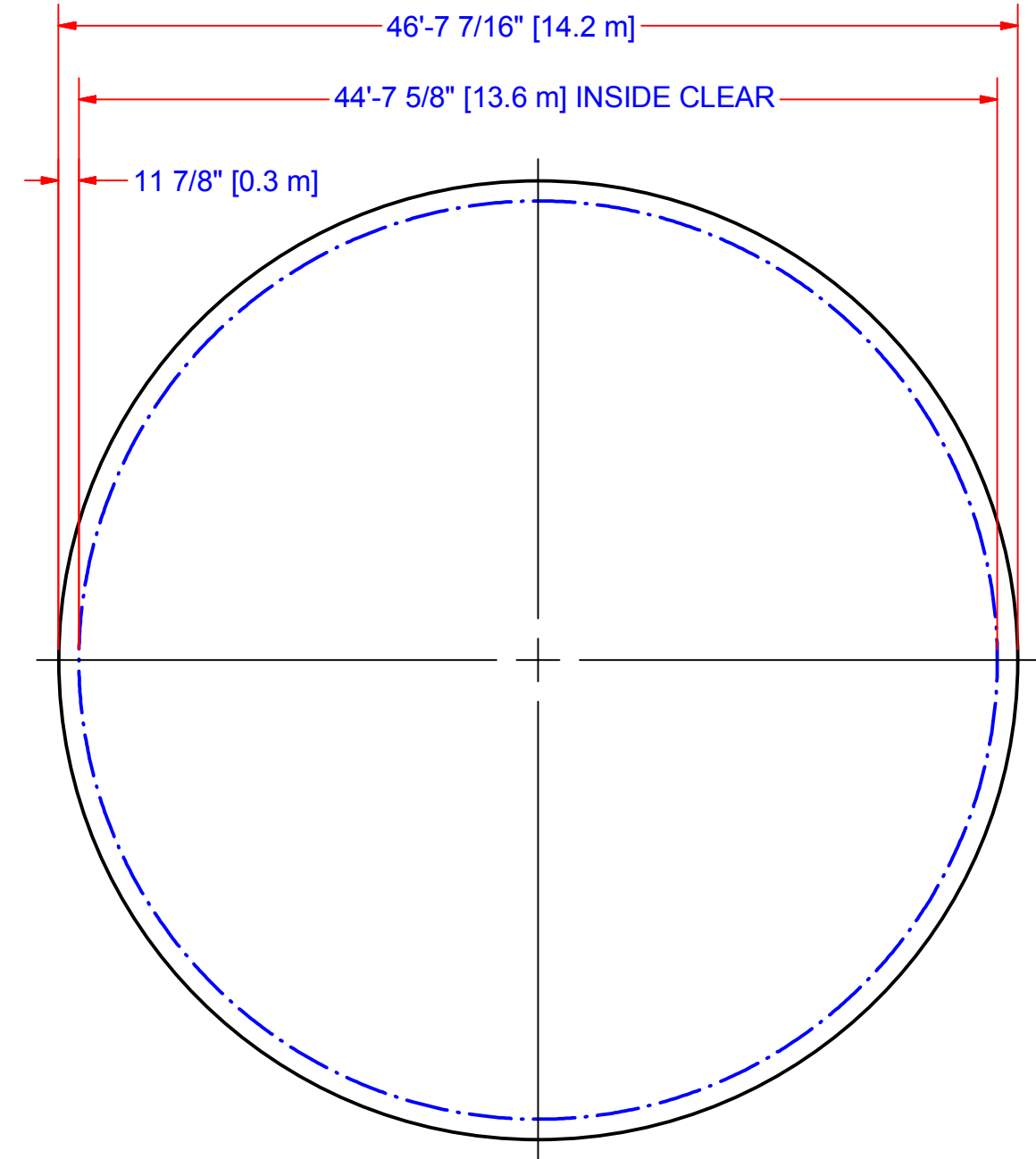


REVISION HISTORY				
ZONE	REV	DESIGNATION	DATE	APPROVED
All	0	Initial Release	11/1/2011	J. Lee



ELEVATION

PRELIMINARY



BASE

<p>These documents by Antennas for Communications contain information of a proprietary nature and shall not be copied or duplicated in whole or in part or used in whole or in part for any purpose other than for preparation of bids or fabrication.</p>	<p>1. ALL MACHINED SURFACES TO BE 125 MICROINCHES OR SMOOTHER. 2. ALL DIMENSIONS ARE IN INCHES.</p>				<p>OUTLINE SPECIFICATIONS</p>								
	<p>.X ±.1 [2.5mm] FRACTIONS .XX ±.04 [1.0mm] ± 1/16 .XXX ±.008 [0.2mm] ANGLE ± 1'</p>				<p>61' * 50' DIELECTRIC RADOME</p>								
	<p>* DESIGN * * PRODUCTION * * QUALITY *</p>				<p>AFC</p>		<p>61DSF50</p>		<p>ANTENNAS FOR COMMUNICATIONS INC. OCALA, FLORIDA</p>				
	<p>SIZE B</p>		<p>CAGE CODE</p>		<p>DWG NO 61DSF50002</p>		<p>DRAWING BY J. LEE</p>		<p>SCALE 3/4 = 1'</p>		<p>USE FOR MARKETING</p>		<p>SHEET 1/1</p>