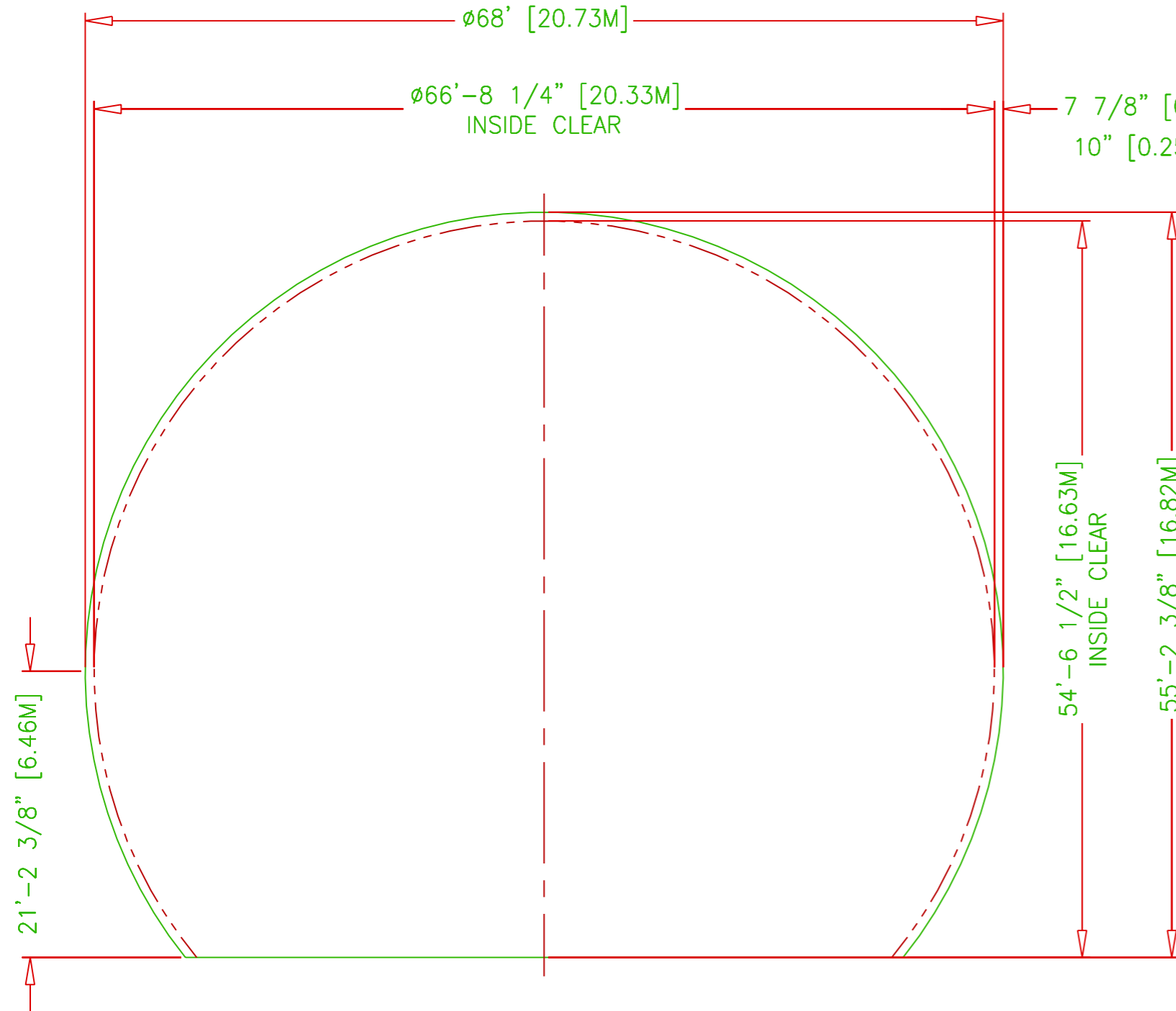
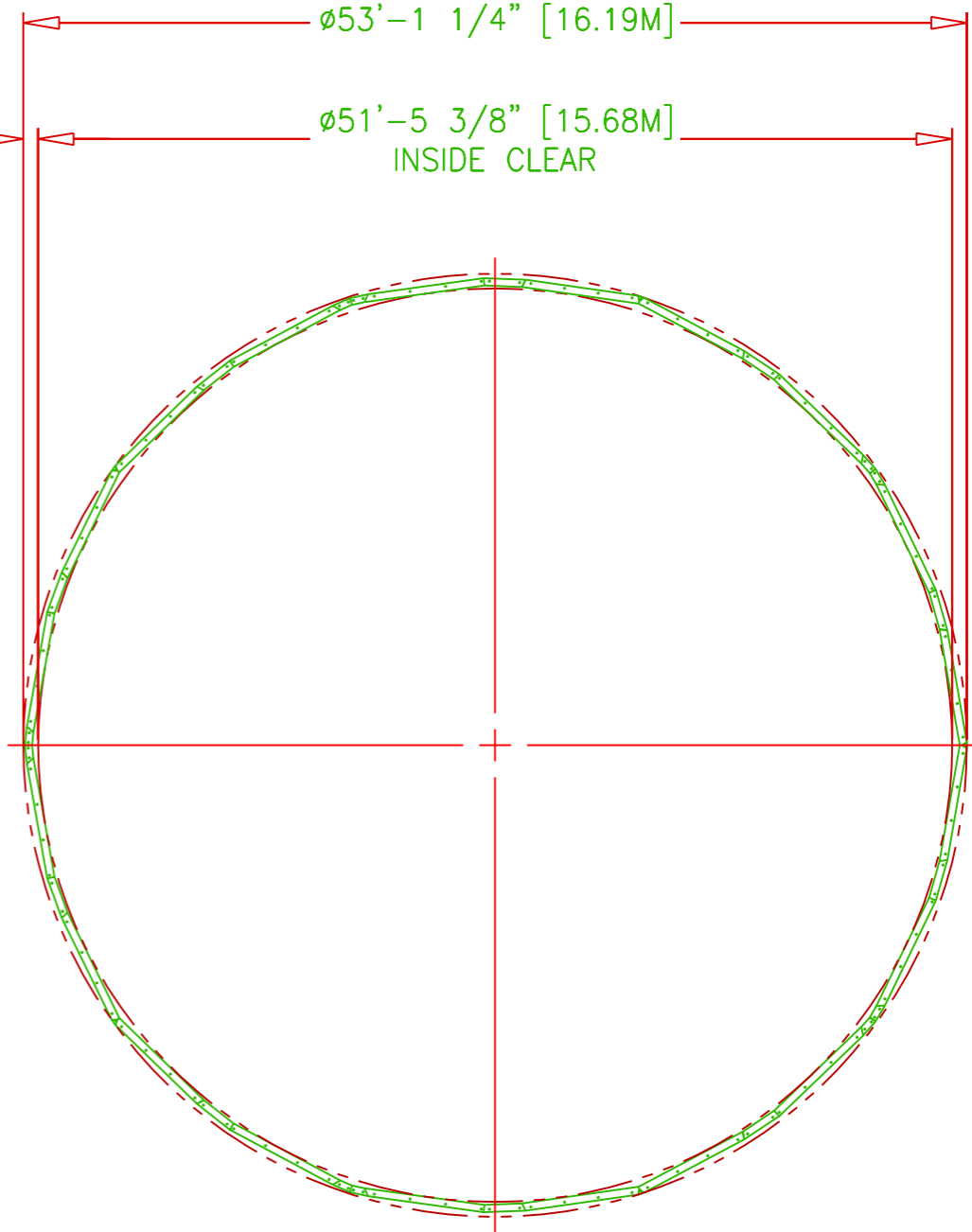


REVISIONS				
ZONE	REV	DESCRIPTION	DATE	APPROVED



ELEVATION



BASE

PRELIMINARY

These documents by Antennas for Communication contain information of a proprietary nature and shall not be copied or duplicated in whole or in part or used in whole or in part for any purpose other than for preparation of bids or fabrication.

REF: 5681000

1. ALL MACHINED SURFACES TO BE 125 MICRONS OR SMOOTHER.
2. ALL DIMENSIONS ARE IN INCHES.
.X ±.1 [2.5mm]
.XX ±.04 [1.0mm]
.XXX ±.008 [0.2mm]
FRACTIONS ± 1/16
ANGLE ±1°
DESIGN
PRODUCTION
QUALITY

OUTLINE SPECIFICATIONS			
68' RADOME 55.2' HIGH DIELECTRIC			
68DSF55005			
AFC		ANTENNAS FOR COMMUNICATIONS INC. OCALA, FLORIDA	
SIZE	CAGE CODE	DWG NO.	REV.
B	IGC56	68DSF55002	A
R. KROHNE		DRAWN BY	11/06/00
1" = 10'		SCALE	MARKETING
1		SHEET 1 OF 1	