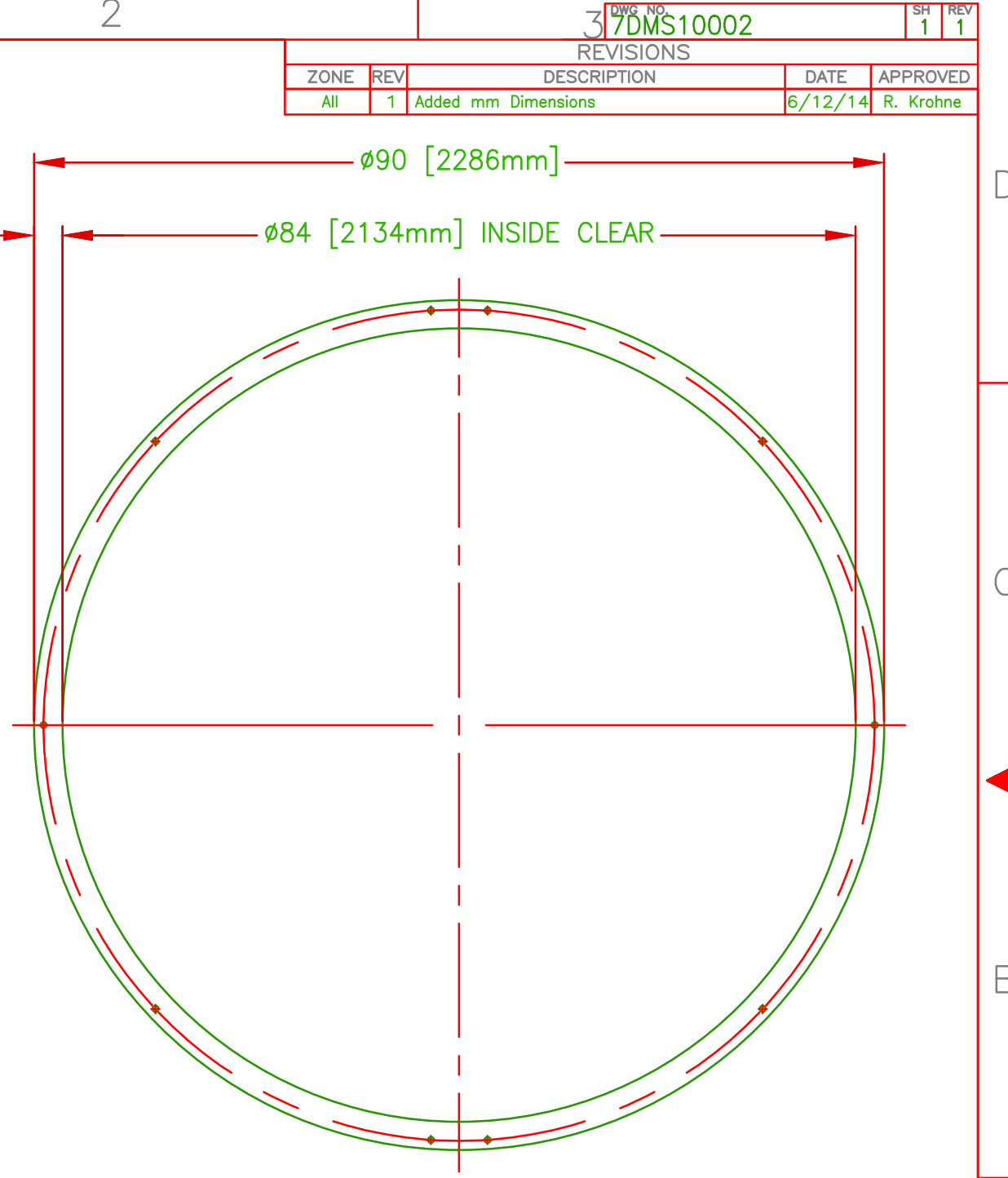
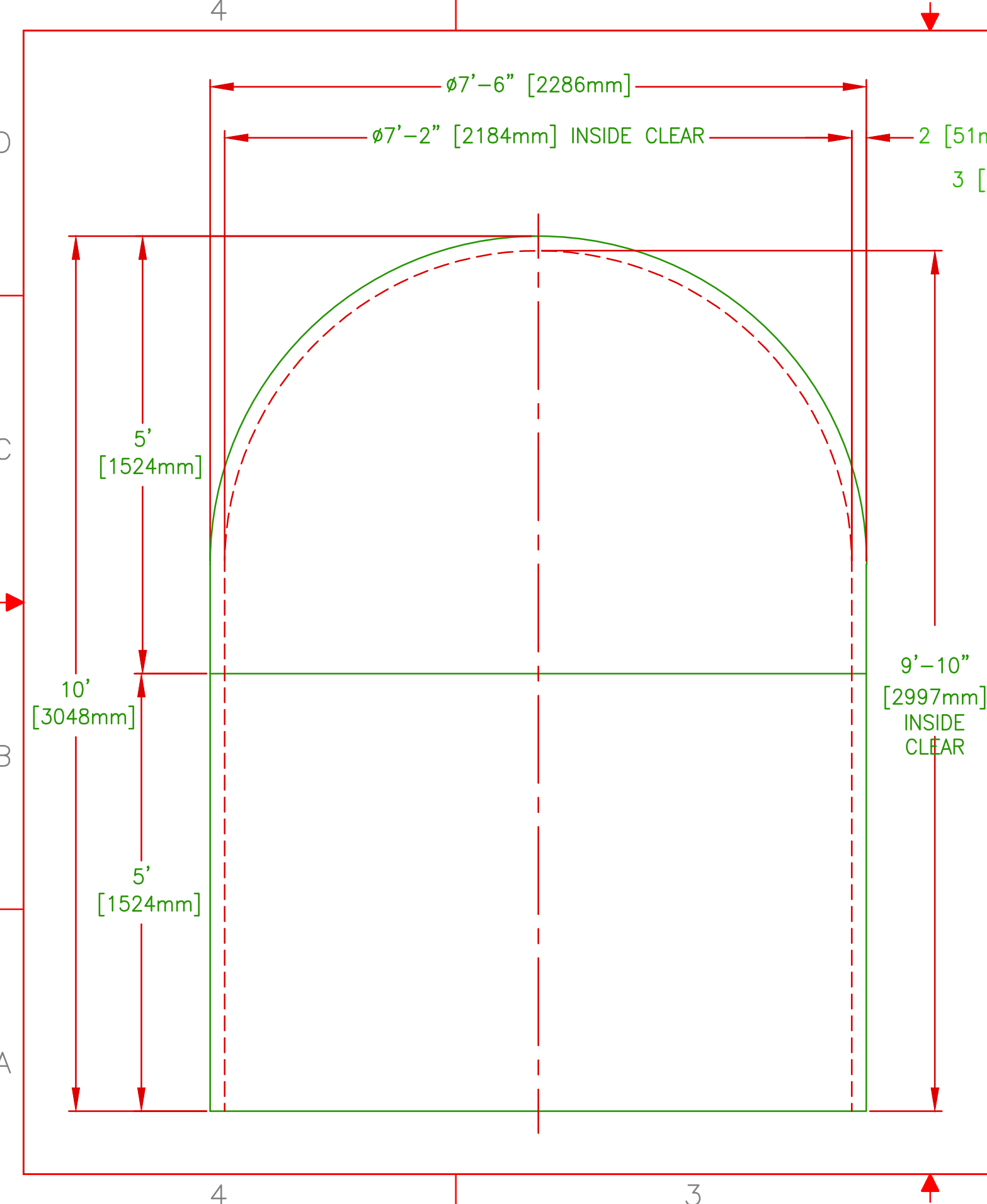


REVISIONS				
ZONE	REV	DESCRIPTION	DATE	APPROVED
All	1	Added mm Dimensions	6/12/14	R. Krohne



BASE VIEW
ANCHOR BOLT PATTERN
RADOME BASE CONSISTS OF 2 IDENTICAL SEMICIRCLES

These documents by Antennas for Communication contain information of a proprietary nature and shall not be copied or duplicated in whole or in part or used in whole or in part for any purpose other than for preparation of bids or fabrication.

DESIGN	R. POSNER	12/06/04
PRODUCTION	L. SPIVEY	12/06/04
QUALITY	R.VANDERLAAN	12/06/04

OUTLINE SPECIFICATIONS			
7.5' RADOME 10' HIGH			
AFC		ANTENNAS FOR COMMUNICATIONS INC. OCALA, FLORIDA	
SIZE	CAGE CODE	DWG. NO.	REV.
B	IGC56	7DMS10002	1
DESIGNED BY	DRAWN BY	CHECKED BY	DATE
R. KROHNE	R. KROHNE	12/06/04	1/16
MARKETING	1	OF	1