

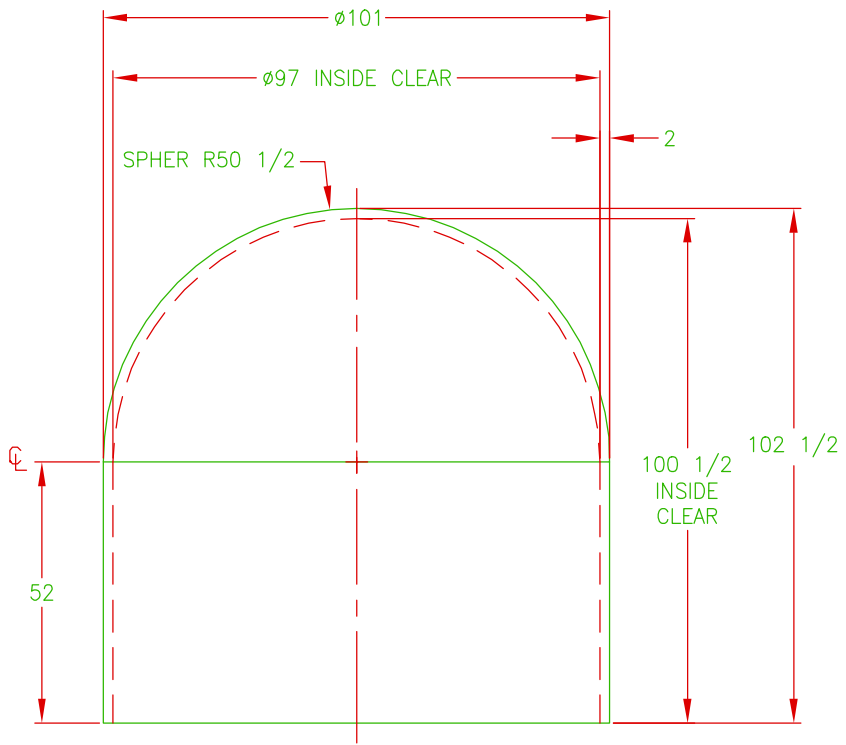
4

2

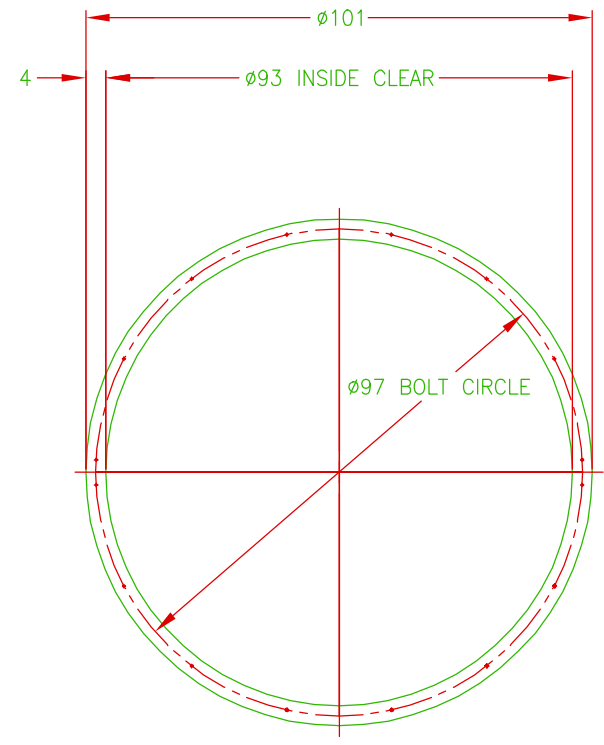
3 DWG NO. 8DMS8002

SH 1 REV B

REVISIONS				
ZONE	REV	DESCRIPTION	DATE	APPROVED
A1	B	TITLE BLOCK DIMS. WERE INCHES	05/09/02	*



ELEVATION



BASE

ORIGINAL

These documents by Antennas for Communication contain information of a proprietary nature and shall not be copied or duplicated in whole or in part or used in whole or in part for any purpose other than for preparation of bids or fabrication.

1. ALL MACHINED SURFACES TO BE 125 MICRONS OR SMOOTHER.
 2. ALL DIMENSIONS ARE IN INCHES.
- | | | | |
|------|-------|---------|-----------|
| .X | ±.1 | [2.5mm] | FRACTIONS |
| .XX | ±.04 | [1.0mm] | ± 1/16 |
| .XXX | ±.008 | [0.2mm] | ANGLE ±1° |

OUTLINE SPECIFICATIONS			
8' 5" x 8' 6-1/2" RADOME, SPHERE-CYL.			
8DMS8005			
AFC ANTENNAS FOR COMMUNICATIONS INC. OCALA, FLORIDA			
R. POSNER	PRODUCTION	07/12/01	REV B
L. SPIVEY	PRODUCTION	07/12/01	REV B
J. CATES	QUALITY	07/12/01	REV B
R. KROHNE	DATE CODE	02/01/01	MARKETING
	DWG. NO.	8DMS8002	1 OF 1

4

3

2

1

D

C

B

A

D

C

B

A